

A systematic X-ray solution – perfect in function and design

The intraoral X-ray generator VistaIntra



The perfect source for the best X-ray results



A systematic X-ray solution - everything from a single provider

For over 50 years, dentists, clinics and X-ray centres around the world have been using innovative products from Dürrental and benefiting from our expertise and competence in radiography. Our excellent image plates, sensor and scanner technology for digital radiography is setting standards in terms of image quality.

With the VistalIntra we offer a high quality X-ray appliance for excellent intraoral images. VistalIntra impresses with its exemplary ergonomic design and is perfectly matched to Dürrental image plates. All its features - from the radiation source over the X-ray film, the scanner and sensors up to the imaging software - are infused with the expertise and quality of Dürrental. Dürrental offers you a complete system from a single provider which assures you the best image results thanks to optimally matched system components.

Whatever image receptor you use, VistalIntra provides the basis for perfect image quality.

Features:

- Modern, sleek design for simple, precise positioning
- A simple operating concept
- Perfectly matched to the image plate or sensor
- Highly reliable, long service life of the X-ray tube
- DC generator with 0.4 mm focal spot

Best in class

We seek to provide the very best to our customers via the production of excellent products and outstanding services. That is our aim with regard to user friendliness, reliability and design.

Versatile and highly efficient

Together with the unique Dürr Dental image plate technology, VistalIntra is synonymous with precise, perfect-quality intraoral images. The VistalIntra X-ray generator is also ideal for VistaRay X-ray sensors and images produced on film.

Fast, high-quality image results

The VistalIntra leaves the factory pre-programmed with the exact radiation dose for every tooth area required for Dürr Dental image plates and sensors. It is ready for immediate use and delivers images with perfect exposure.



Easy handling, highly ergonomic

Thanks to the handle on the generator head, VistalIntra can be comfortably and precisely positioned. Selecting the tooth area is also easily done. The X-ray parameters can be finely adjusted where required; quick switching between two different radiation settings, such as image plate and sensor, is also possible. Clear icons on the timer improve the workflow and reduce the risk of errors.

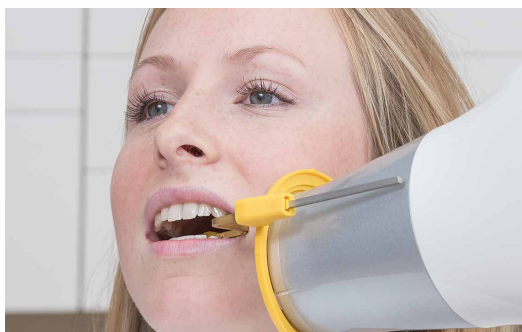
DC technology for minimised radiation dosage

VistalIntra's modern DC technology facilitates highly repeatable accuracy of radiation dose and thus high image quality. It also reduces the patient dose by more than 25% in comparison to conventional AC generators, thereby ensuring greater safety for your patients and employees.



Precisely oriented with right-angle/parallel technology

Use the Dürr Dental right-angle technique color set for easy production of the best-possible images.



All data, facts and accessories

VistaIntra DC – ideal for all image receptors

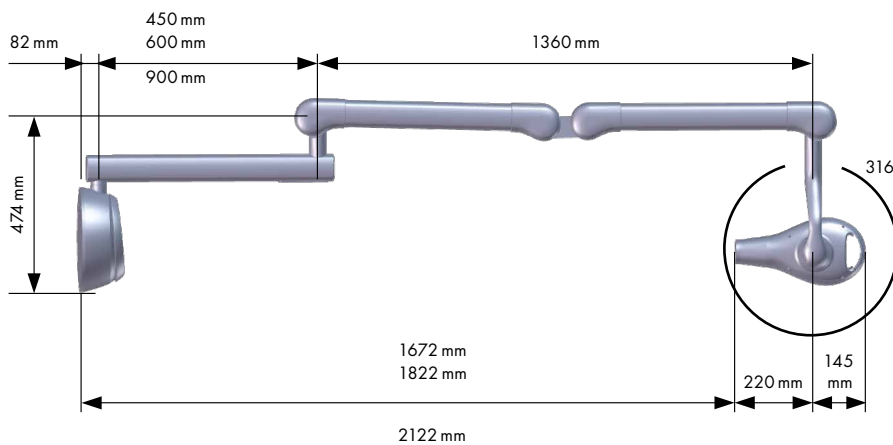
VistaIntra DC	
Input power	AC 100-240 V 10%, 50/60 Hz
Power consumption (W)	500
Tube voltage (kVp)	60 - 70
Tube current (mA)	4 - 7
Tube length (mm)	200 (300 optional)
Radiation field colimation (mm)	Ø 60 / 30x40 (20x30 optional)
Exposure time (sec.)	0.04 - 2
Focal spot (mm)	0.4 (IEC 336)
Total filtration (mm)	Min. 2.0 Al
Weight (kg)	24.4 / 26.4 / 28.4
Height (mm)	1730
max. working length (mm)	1810 / 1960 / 2260



VistaScan image plate scanner



VistaRay sensor technology



P007751-02/R07 Subject to technical changes

Dürr Dental SE
 Höpfigheimer Str.17
 74321 Bietigheim-Bissingen
 Germany
www.duerrdental.com
info@duerrdental.com

**DÜRR
 DENTAL**
 THE BEST, BY DESIGN